

Cue⁴

User Manual



28 High Street
Arlesey
Bedfordshire
SG15 6RA
UK

Tel: +44 (0) 870 770 8088
Fax: +44 (0) 870 770 8089
Email: moreinfo@interspaceind.com
www.interspaceind.com



Cueing and Presentation Control Specialists

Contents:

Introduction	3
Safety Instructions	4
Diagrams 5	
Regulations Compliance CE	5
Regulations Compliance FCC	6
Operating Instructions	6
Loop Out 7	
Equipment Supplied	7
Technical Support Contact	7

If the Enable switch is toggled on and off the Red LED associated to that channel will also toggle on and off to show if the cue will be sent to the computer from the cueing device (MasterCue etc.,) - or not.

Carry on with this process for the other computers to prove connectivity with each in turn and check the enable / disable function as well

Loop out

Cue⁴ has a Loop out to enable multiple units to be connected together—we do not recommend more than 2 extra systems to be looped

Please repeat above for the second unit but plug the 6 pin mini din between the loop out of the first **Cue⁴** and i2 input on the second

Equipment Supplied

- Cue⁴
- 4 x USB A-B series Cable 2m
- 1 x 6 pin Mini Din cable 1.5m

Note: User supplied 3-pin XLR (mic) cables are required to connect display lamps to the main unit.

For Technical Support or Sales Enquiries

Interspace Industries Head Office:

+44 (0) 870 770 8088

Emergency Technical Support Hot Line:

+44 (0) 7976 385046

Website:

www.interspaceind.com

Environmental

WEEE and RoHS Compliance. Cue⁴ and its associated accessories have been manufactured and sold in accordance with the requirements of the EC WEEE and RoHS directives. Please return all end-of-life items to your supplier, or Interspace Industries directly, for appropriate disposal.

Packaging Materials:

Cardboard box: Grade 150 K/T 'B' (Single Walled Corrugated - Brown Kraft)

FCC

NOTE: This equipment has been tested and found to comply with the limits for a Class B digital device, pursuant to Part 15 of the FCC Rules. These limits are designed to provide reasonable protection against harmful interference in a residential installation. This equipment generates, uses and can radiate radio frequency energy and, if not installed and used in accordance with the instructions, may cause harmful interference to radio communications. However, there is no guarantee that interference will not occur in a particular installation. If this equipment does cause harmful interference to radio or television reception, which can be determined by turning the equipment off and on, the user is encouraged to try to correct the interference by one or more of the following measures:

- Reorient or relocate the receiving antenna.
- Increase the separation between the equipment and receiver.
- Connect the equipment into an outlet on a circuit different from that to which the receiver is connected.
- Consult the dealer or an experienced radio/TV technician for help

Operating Instructions

Unpacking and Connections. Unpack the main unit and place on a flat surface within easy access for the Operator (see figure 1).

Ensure the operation of the host MasterCue V5 USB cueing system or Cue⁴ handset (future development)

Plug into the rear of the MasterCue V5 the supplied 6 pin mini Din cable (to the keyboard socket) and attach the other end to the i2 input on the Cue⁴. Attach the first computer with one of the 4 supplied USB series A-B cables. The Green LED associated with the channel that the computer has been plugged into will illuminate to confirm connectivity to the PC and the USB is Talking to the Computer.

Introduction

Cue⁴ has been developed for the need of simple step on (or back) of multiple computers cued from a MasterCue V5 USB.

A straight forward unit with 4 USB (B Series) connectors allows up to 4 computers to be independently enabled to step on or go back at the same time in presentations with software such as Microsoft PowerPoint .

The unit requires no additional power as it obtains this from the host computers via their USB connectors

Front panel switches enable or disable the control

Multiple Computer Presentations Made Simple!

We hope Cue⁴ exceeds your expectations and welcome any feedback that you have about this or any of our products.

Thank you.

The Interspace Industries Team
www.interspaceind.com

Safety Instructions

All safety and operating instructions should be read before this product is operated and should be retained for further reference. Please adhere to all the warnings on this product and in these operating instructions. Please follow these instructions carefully.

Power. Only use the power source indicated on the device. Devices equipped with a grounded plug should only be used with a grounded type outlet. In no way should this grounding be disconnected, modified or suppressed.

Keep Away From Harmful Substances

To prevent the risk of electric shock and fire, do not expose this device to rain, humidity or intense heat sources (such as radiators or direct sunlight). Avoid using this equipment in environments where there is excessive heat, dust, moisture, chemicals, vibration or mechanical shocks.

Slots and Openings. These are designed into the device for ventilation and to avoid overheating. Always ensure these openings remain clear. **Do not attempt to insert anything into these openings under any circumstances.** If liquids have been spilled on, or objects have fallen into the product it must be checked by a qualified technician before re-using.

Connections. All inputs and outputs (except for power input) are TBTS defined under EN60950.

- **DO NOT OPEN SYSTEM DUE TO HIGH VOLTAGE.**
- **DO NOT IMMERSE IN WATER.**

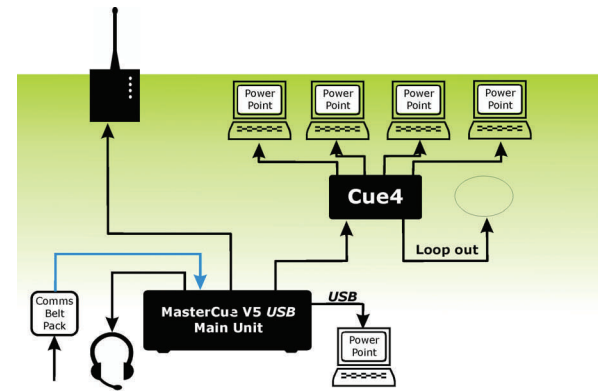
If you have any queries regarding these safety instructions or how to maintain the unit please do not hesitate to contact us on:

+44(0)870 770 8088

Servicing. Do not attempt to service this product yourself. Opening or removing covers and screws may expose you to electric shocks or other hazards. Refer all servicing to qualified service personnel.

Diagram

Figure 1: Cue4 Connection Diagram



DECLARATION OF CONFORMITY

We declare under our sole responsibility that the product

Cue⁴

Conform to the following standards:

EN60950-1:2002,

Following the provision of:

The Electromagnetic Compatibility Directive 89/336/EEC

Issued on: Date 08 March 2007

Dave Humphrys
Managing Director, Interspace Industries Ltd