

# Indicator<sup>3</sup>

**Indicator<sup>3</sup>** is a simple and effective 'Traffic Light' system. Using everyone's understanding of green, amber and red signals, **Indicator<sup>3</sup>** silently prompts presenters when to speak (green light), when to summarise (amber light) and when to conclude (red light).

The main control unit has dual indicator power outputs so that two lamps can be located for easy viewing, or to cue more than one presenter or crew at the same time. The indicator display lamps are self-contained and are connected using standard 3-core XLR (mic) cables. The optional CombiTower can be used to give 360 Degree viewing.

Operation is by the main unit front panel. Green, amber and red buttons will select or deselect that colour. Selecting another colour will deselect the first colour. A flash feature allows the operator to emphasise that time has run out. Cable lengths can be in excess of 100 metres (300 ft).



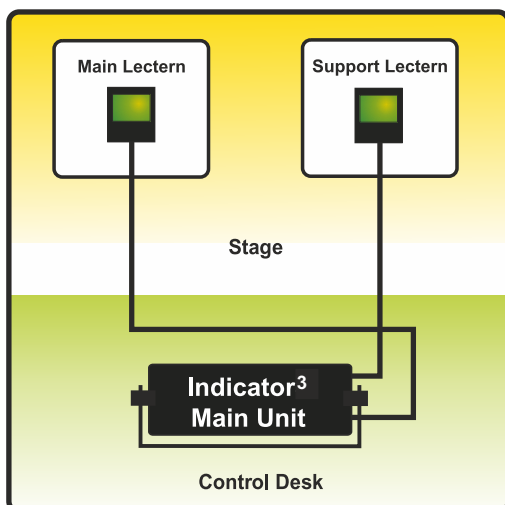
## *Live Event Timekeeping Made Simple!*

### Main Features:

- ✓ Simple set-up and operation – operational in minutes
- ✓ Dual signal output – 2 presenters or crew can see the same signal
- ✓ Simple lamp changes colour – discreet yet highly effective
- ✓ Optional CombiTower for all round viewing
- ✓ Flashing function – to emphasise that time has run out!
- ✓ Only requires standard 3-pin XLR (mic) cables to interconnect



### 3 Year Limited Factory Warranty



## Specifications

### Signals:

2 Outputs each carrying 12VDC 100mA (limiting)

### Connectors:

2 x 3-pin male XLR  
IEC power connector

### Accessories included:

1 or 2 Remote indicator lamps (IND2-1 : IND2-2)  
Power cable

### Required user parts:

Standard 3-pin XLR (mic) cables

### Dimensions mm (inch):

Base unit  
DxWxH: 110(4 ¼") x165(6 ½")x185(3 ¼")  
Weight: 866g (2lbs)  
Remote Displays - Combi-Lamps  
DxWxH: 71(2 8/10") x 64(2 1/2")  
x 40(1 6/10")  
Weight: 110g (3.9oz)



Interspace Industries

Unit 7 Polaris Centre, 41 Brownfields, Welwyn Garden City, Hertfordshire, AL7 1AN, UK

call: +44 (0) 1462 600 101

email: [moreinfo@interspaceind.com](mailto:moreinfo@interspaceind.com)

web: [www.interspaceind.com](http://www.interspaceind.com)

Unistand is not supplied as standard  
XLR cables are not supplied as standard

Disclaimer: Whilst all care is taken to ensure accuracy, Interspace Industries Ltd accepts no responsibility for any errors or omissions, whether implied or otherwise interpreted. All specifications subject to change without notice.

